

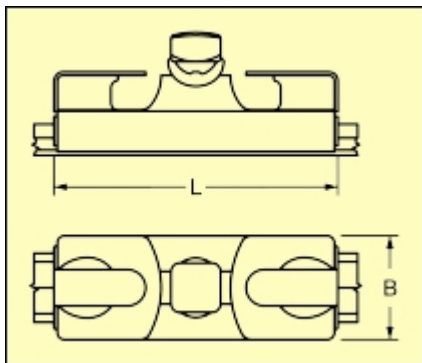
## HALYARD SLIDER



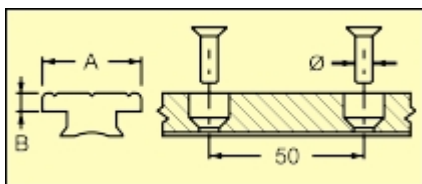
The "halyard slider" has been specifically planned for wire halyards and for those halyards which are subject to such high strain as to preclude use of a stopper. This solution permits easy adjustment and secure locking of halyards.

- Stop pin with 2 positions: lock-up and automatic insertion.
- Track: with close bore-holes (step 50 mm) for precision adjustment.

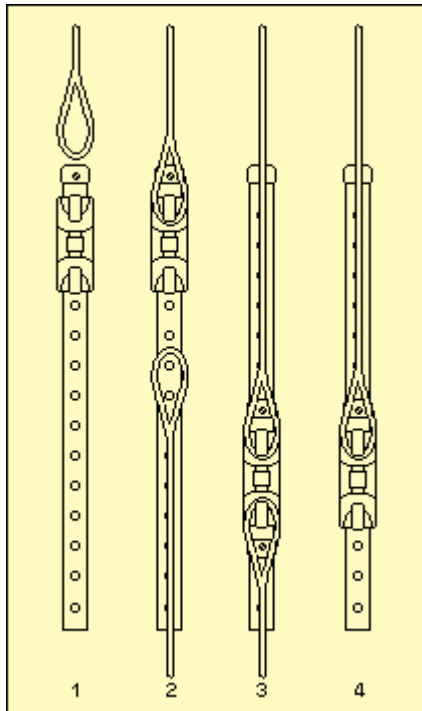
The "halyard slider" is made in three sizes for 32 x 6 and 40 x 8 T-shaped tracks.



MODEL	L mm	B mm	W kg	WEIGHT kg	TRACK mm
<b>SINGLE PIN</b>					
<b>622.402</b>	135	50	<b>2800</b>	0.40	32 x 6
<b>623.402</b>	160	60	<b>3800</b>	0.80	40 x 8
<b>DOUBLE PIN</b>					
<b>624.402</b>	210	60	<b>5800</b>	1.20	40 x 8



MODEL	SIZES mm	SCREWS Ø / spacing mm	END- FITTING Mod.
<b>602.212</b>	32 x 6	6 / 50	691.241/AL
<b>602.213</b>	40 x 8	8 / 50	691.341/AL



## ADJUSTING AND BLOCKING THE HALYARD

1. hook the halyard to the slider
2. connect the winch and free the slider lock
3. put the halyard under tension and lock it in place
4. free the slider from the winch