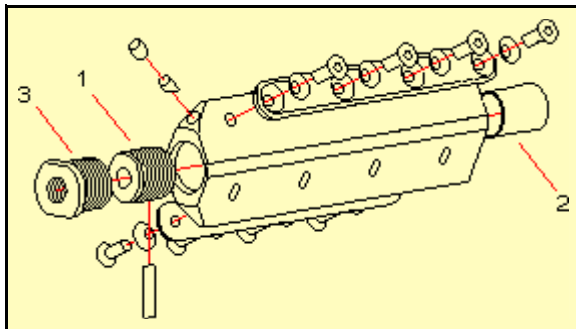


## BATTEN RECEPTACLE

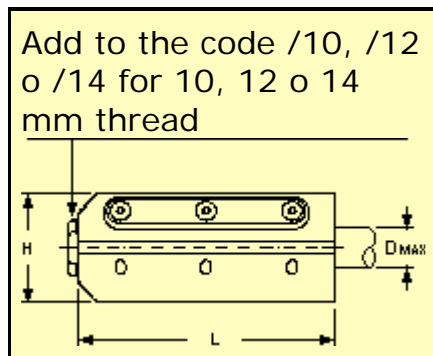
### SBR SYMMETRIC BATTEN RECEPTACLE - ROUND BATTENS

The SBR is different from standard batten receptacles in that it fits inside the batten pocket, making it invisible on the outside except for the small fastening plate - thereby almost completely eliminating chafe on the mast and rigging.

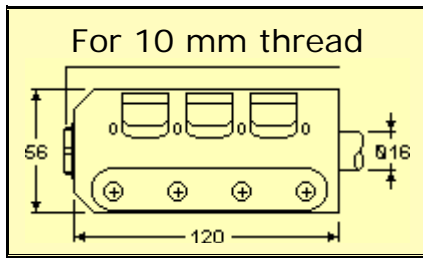
The **SBR** is adjustable (1) to 50 mm, and has adapters (2) to fit batten diameters from 16 to 36 mm.



All ANTAL # 50, 60, 70, 90 and RACE sliders can attach to the receptacle (3), as can any 10, 12 or 14 mm toggle (add /10, /12 or /14 to the part number).



| MODEL   | L<br>mm | H<br>mm | WEIGHT<br>kg | Dmax<br>mm |   |
|---------|---------|---------|--------------|------------|---|
| 609.323 | 150     | 64      | 0.45         | 22         | For<br>battens<br>with<br>diameter<br>of 16, 18<br>o 20 mm<br>specify<br>adapter<br>part<br>609.016,<br>609.018<br>o<br>609.020 |
| 609.324 | 200     | 64      | 0.54         | 22         |   |
| 609.325 | 200     | 75      | 0.62         | 26         |   |
| 609.326 | 250     | 105     | 1.05         | 36         |   |



**609-322 NEW SMALL SBR**

Designed for Antal system *HS 50* (up to 50 ft boats), for round battens up to 16 mm. Made of high-strength resin, max UV resistance.

Trimming: 40 mm

Fixing: 8 self-tapping screws

Weight: 0.13 kg

For all receptacle sizes, a special tool is available which is supplied with a piercing punch to create exacting holes in the sail for the fasteners.



Mod. 610.340

**FLAT BATTEN  
RECEPTACLE**  
(Flat batten 40 mm)  
For size 40 Antal  
system



Mod. 610.341

**ROUND BATTEN  
RECEPTACLE**  
(Up to Ø16 mm)  
For size 40 Antal  
system



Per sistemi Antal RACE,  
taglia 70, taglia 90.

**CUSTOM RECEPTACLE**  
Resin box and aluminium  
mechanism, for round  
batten up to 26 mm  
diameter; batten adjustment  
from the mast.