

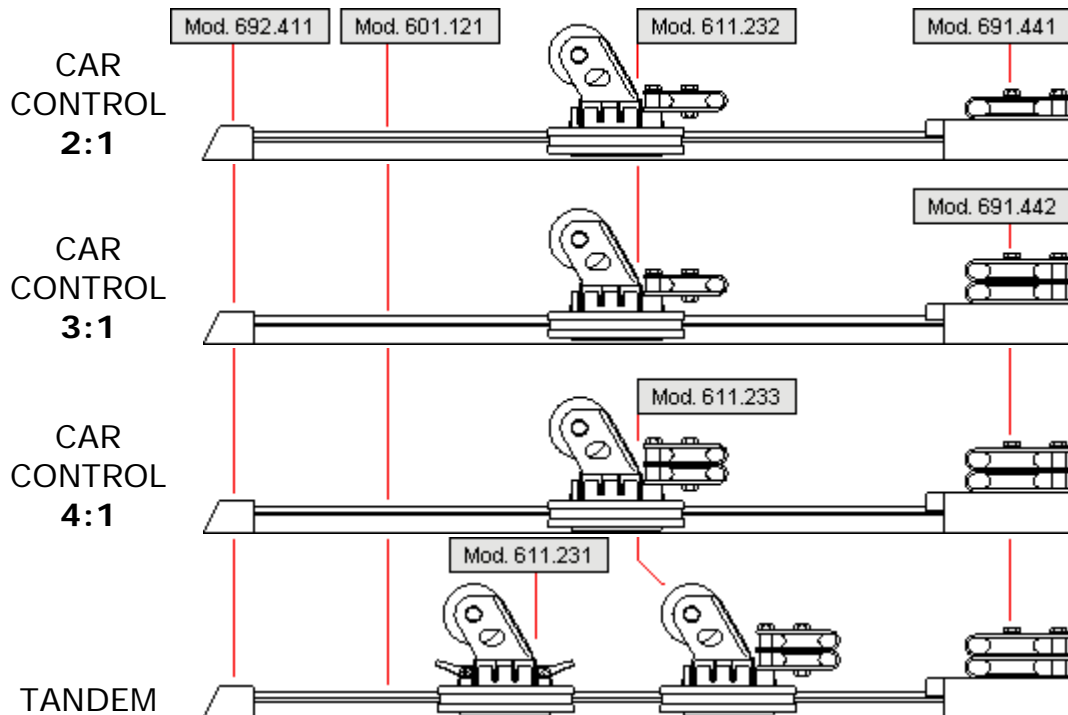
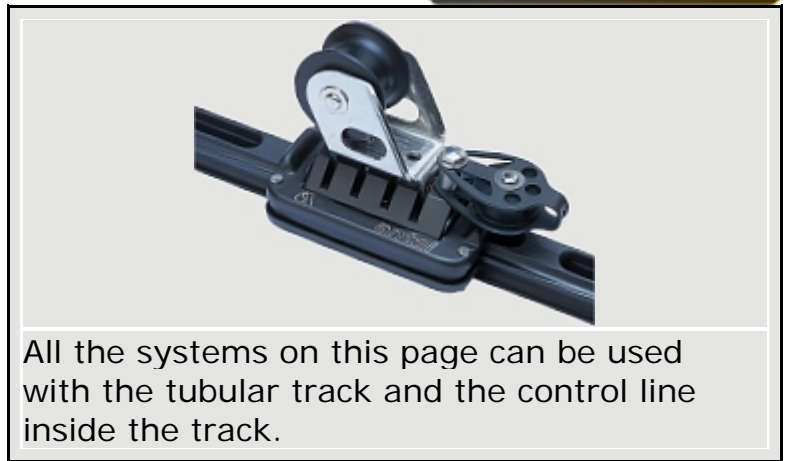
BALL BEARING GENOA CARS SIZE 100

This traveller is 100 mm long and 67 mm wide. The weight is 0.20 kg and the **working load = 820 kg**. Fitted with 1/4" balls (54 Torlon balls on the lower races and 54 Delrin on the upper races).



Mod. 611.232

For boats up to 33 ft



BALL BEARING TRAVELERS GENOA SYSTEM - 150

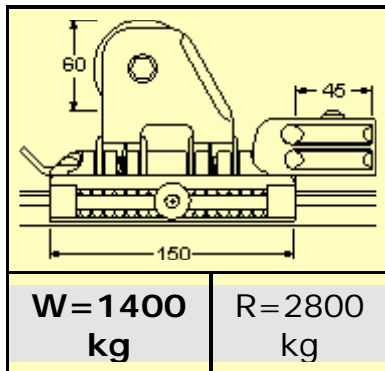
SIZE 150

This 150 mm long traveller is fitted with one 60 mm sheave, for the genoa sheet, and two 45 mm sheaves for the car control.

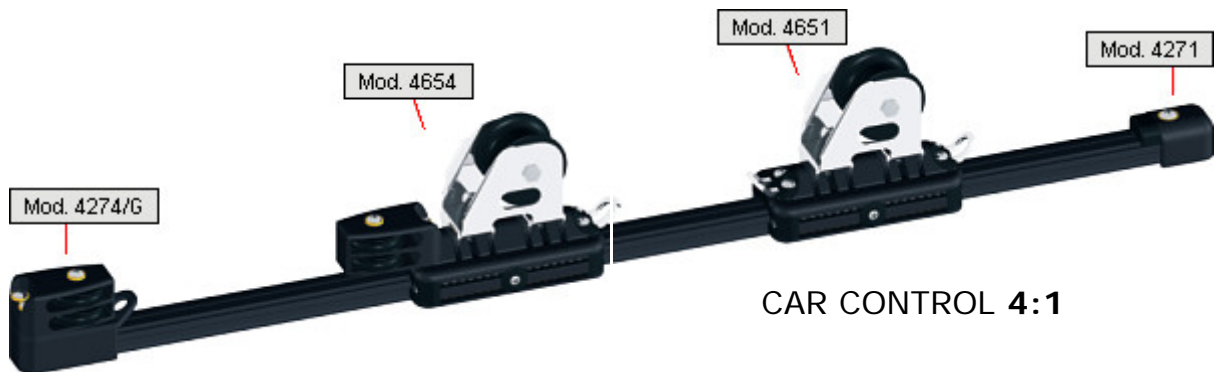


All these sheaves are made of high strength resin with double sided ball bearings.

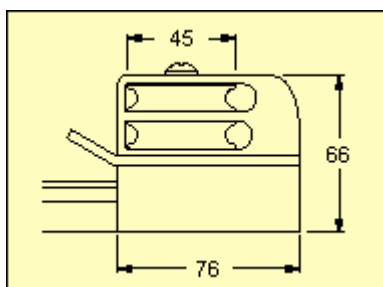
For boats up to 36 ft



W ▬ ▬ **R**
WORKING LOAD BREAKING STRENGTH



Mod. 4274/G End fitting, 2 sheaves (D=45 mm) and becket.



BALL BEARING TRAVELERS

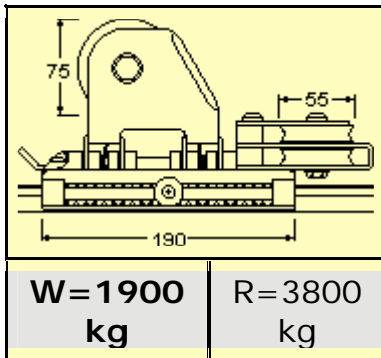
GENOA SYSTEM - 190

SIZE 190

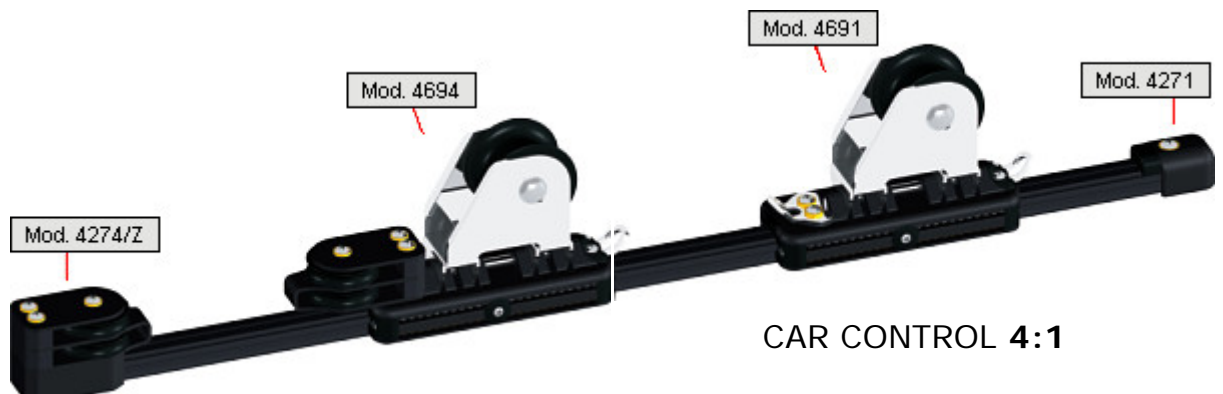
This 190 mm long traveller is fitted with one 75 mm sheave, for the genoa sheet, and two 55 mm sheaves for the car control. All these sheaves are made of high strength resin with double sided ball bearings.



For boats up to 48 ft



W WORKING LOAD **R** BREAKING STRENGTH



CAR CONTROL 4:1

Mod. 4274/Z End fitting, 2 sheaves (D=55 mm) and becket.

Mod. 4274/G Adjustable stop pin (only with track mod. 4520).

